



Key Features

- **Up to 4 Groups (Up to 12 Monitors and 4 Individual Door Stations with 4 Electric Locks):**

4 groups of monitors can be connected to support up to 4 households.

- **Night Vision with LED Lights and Illumination Sensor:**

The LED automatically lights up when the surrounding area gets dark, making it easier for visitors to see at night.

- **4 Name Plates:** You can show the name of each household on a name plate.

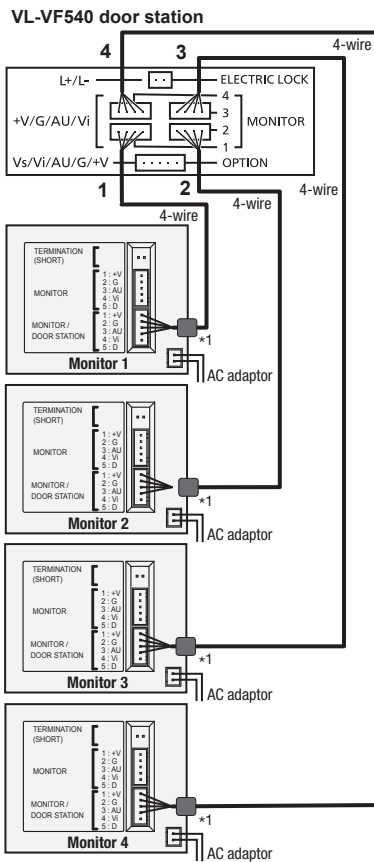
- **Electric Lock Release:** The door lock can be easily and quick released. If an optional monitor is connected, you can release locks from any room.

- **For Both Surface Mounting and Flush Mounting Supported:**

Support for both surface mounting and flush mounting, to enable installation in various environments.

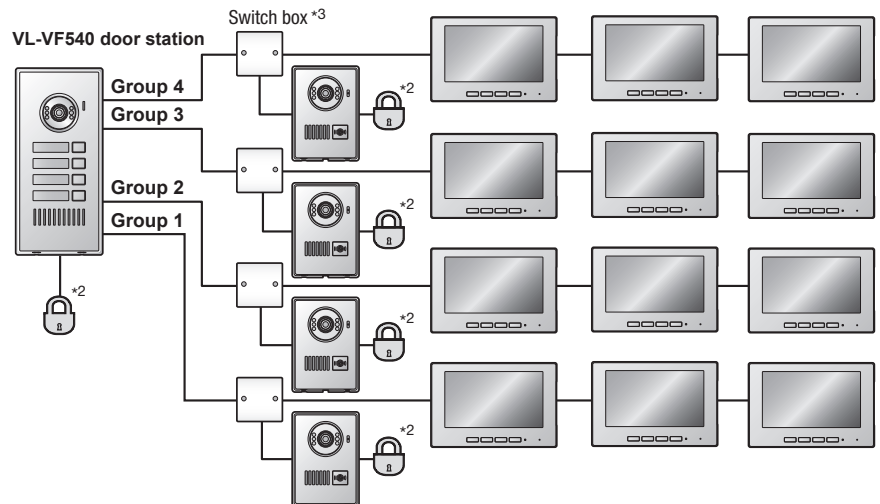
Wiring Schematic Diagram / System Configuration

Basic system



*1 5-pin connector with core

Fully expanded system



*2 Electric lock (user supplied)

*3 Switch box (included with the optional VL-VF580, NOT included with the VL-SF70)

Wire type and length

From - To	Max. distance	Cable standard	Cable type reference
Door station - Monitor	50 m	0.5 mm ²	RWV4 (4-wire)
	100 m	0.75 mm ²	
Electric lock - Door station	5 m	1.0 mm ²	RWV2 (2-wire)
	10 m	1.5 mm ²	
Monitor - Monitor	50 m	0.5 mm ²	RWV6 (6-wire)
	100 m	0.75 mm ²	

Accessory Information

- Surface mounting base × 1
- Flush mounting box × 1
- Screws (4 mm × 12 mm) × 4
- 4-pin connector × 4
- 2-pin connector (for electric lock^{*1}) × 1
- Hex wrench × 1

*1 Electric lock (user supplied)

Optional Accessories



Model Composition

VL-VF540

VL-VF540 x 1

Specifications

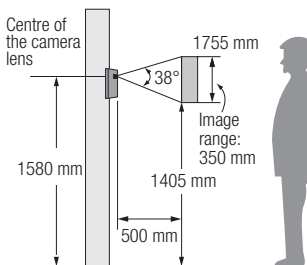
	VL-VF540		Optional Accessories	
			VL-VF580	VL-MF70
Model number and name	Door Station (Doorphone)		Door Station (Doorphone)	Monitor
Dimensions (mm)				
Power source	Supplied by the Monitor		AC adaptor (PNLV245), 24 V DC, 0.5A	AC adaptor (PNLV245), 24 V DC, 0.5A
Power consumption	-		Standby: Approx. 0.5 W During operation: Approx. 1.5 W	Standby: Approx. 1.3 W During operation: Approx. 10 W
Dimensions (H x W x D) (Excluding protruding sections)	Surface mount: 268 x 125 x 41 mm Flush mount: 262 x 119 x 15.5 mm		143 x 101 x 35 mm	135 x 201 x 25.5 mm
Weight	500 g		265 g	465 g
Operating environment	Ambient temperature: Approx. -10 °C to +55 °C Relative humidity (non-condensing): up to 90 %		Ambient temperature: Approx. 0 °C to +40 °C Relative humidity (non-condensing): from 45 % up to 90 %	Ambient temperature: Approx. 0 °C to +40 °C Relative humidity (non-condensing): from 45 % up to 90 %
Display	-		-	Approx. 7 inches wide colour display
Talking method	-		-	Hands-free
Viewing angle	Horizontally: Approx. 51° Vertically: Approx. 38°		-	-
Installation method	Flush mount or Surface mount (Mounting base supplied)		Wall mount (Mounting base attached)	Wall mount (Wall mount bracket included)
Minimum illuminance required	1 lx (within approx. 50 cm from the camera lens)		-	-
Lighting method	White coloured LED lights		-	-
IP rating/IK rating	IP54 ^{*1}		IP44 ^{*1}	-
External material	Aluminium and Flame retardant ABS resin		Flame retardant ABS resin	Flame retardant ABS resin

*1 Water resistance is only assured if the camera is installed correctly according to the instructions in the Installation Guide, and appropriate water protection measures are taken.

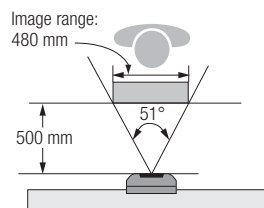
Installing the Doorphone

• Views when the camera is facing forwards at 0°. Example: Installation height is 1580 mm.

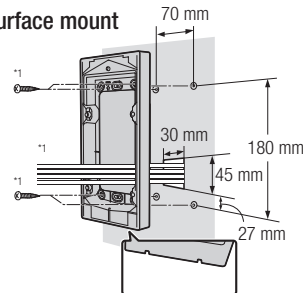
Side view



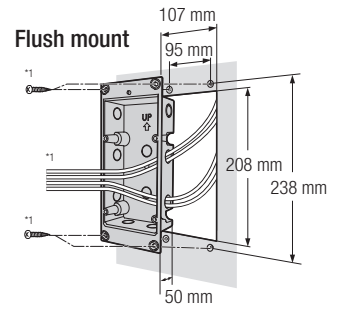
Top view



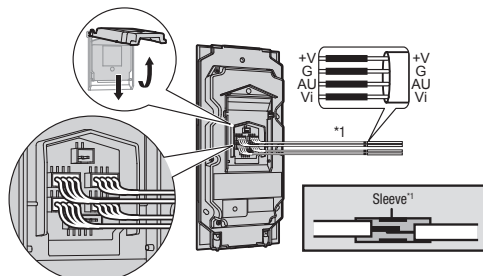
Surface mount



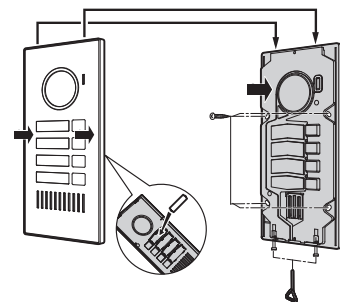
Flush mount



*1 User supplied



*1 User supplied



- The actual product may vary slightly from photograph.
- All pictures of the LCD display are simulated.
- Weights and dimensions are approximate.
- Design and Specifications are subject to change without notice.
- These products may be subject to export control regulations.

Important

– Safety Precaution: carefully read the operating instructions and installation manual before using this product.

DISTRIBUTED BY: AmpleTrails

info@ampletrails.com

<https://ampletrails.com/>

Panasonic[®]