



Call Us: 9315441053  
info@ampletrails.com

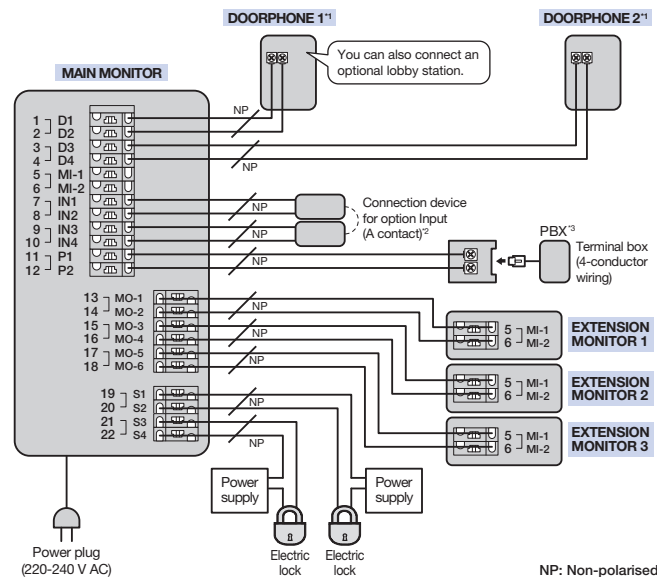


## Key Features

- Sophisticated Design:** Touch sensor keys are used in the monitor, achieving a fully flat design for our thinnest\* model yet. You can select from silver or white. Particular attention has been paid to the materials and coatings used for the surface of the doorphone, resulting in a gently curved, metallic-looking design. Also, the optional mount box can be used to install the door inside the wall, reducing the distance between the front surface of the doorphone and the wall even further.
- Easy-to-use:** A 1.3 M pixel image sensor is used in the doorphone to dramatically improve image quality. Furthermore, the "bell" indicator on the call button illuminates so visitors immediately know where to press even in dark environments. A dedicated E-lock release key is placed on the front of the monitor and a volume adjustment key is placed on the side, making it easy to operate while talking.
- Highly Expandable:** Up to 3 wide monitors (7-inch) can be connected to the main monitor. In addition, PBX connectivity is also supported.
- 7-inch Screen:** The main monitor and extension monitor have a 7-inch wide screen that offers easy viewing of wide vertical and horizontal views.
- Voice Change Function:** This unique safety feature lowers the voice heard at the doorphone so that a female's voice sounds like a male's.
- Electric Lock Release Support for Gate:** The gate or door lock can be easily and quickly released using monitors.
- Picture Recording :** The main monitor and extension monitor can record doorphone images from up to 50 doorphone calls or monitoring sessions.
- Night Vision with:** Doorphone is equipped with LED lights (illumination lamp). It enables the colour display of visitors at a distance of about 50 cm at night.

\* The thinnest intercom with built-in power supply produced by Panasonic.

## Wiring Schematic Diagram



\*1 When you use an additional doorphone, the maximum number of the electric locks that can be connected to the doorphone depends on the type of doorphone. Consult your dealer for further information.  
For VL-V554 users:  
- The electric lock can also be connected to the S1/S2 terminals of the doorphone.

\*2 Connection devices for option input (A contact)  
- Make sure to connect doorbells to the IN3/IN4 terminals. A doorbell and doorphone 2 cannot be used together.  
- When a VL-V901 and VL-V700 series Video Intercom System for Apartment Complexes is used, emergency terminals can be used. Make sure to connect emergency terminals to the IN1/IN2 terminals.

## Wire type and length

Wiring run	Wire type <sup>4</sup>	
	Diameter	Length (Max.)
Doorphone – Main monitor – Extension monitor <sup>5</sup>	Φ 0.65 mm	22 AWG
	Φ 1.0 mm	18 AWG
Main monitor – Electric lock <sup>6</sup>	Φ 0.5 mm	24 AWG
	Φ 1.2 mm	17 AWG
Main monitor – Connection device for option input (A contact) <sup>6</sup>	Φ 0.5 mm	24 AWG
	Φ 1.2 mm	17 AWG
Main monitor – PBX	Φ 0.65 mm	CAT 3 or 22 AWG

\*3 Connectable PBX Model Numbers: KX-TDA30/100/100D/200/600 series, KX-TDE100/200/600 series, KX-NS300/500/700/1000 series. Please consult your dealer when connecting with a PBX.

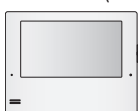
\*4 Type: Single-pair cable with outer sheath (jacket)  
Conductor: Copper solid  
• A certified power supply wiring has to be used with this equipment. The relevant national installation and/or equipment regulations shall be considered. A certified power supply wiring not lighter than ordinary polyvinyl chloride flexible wiring according to IEC 60227 shall be used.

\*5 When an extension monitor is used, make sure that the total wiring length from the doorphone to the main monitor and then to the extension monitor, is within about 100 m.

\*6 When using an electric lock or a connection device for option input (A contact), select a device that meets the following guidelines:  
• Electric lock connection terminal (S1/S2, S3/S4):  
-N/O dry closure contact  
-30 V AC (1 A)/24 V DC (1 A) or lower  
• Connection device for option input (A contact) terminal (IN1/IN2/IN3/IN4):  
-Input method: No-voltage contact  
-Open-circuit voltage between terminals: DC 7 V or less  
-Detection definite time: 0.1 seconds or more  
-Short-circuit between terminals: 5 mA or less  
-Resistance value: make: 500 Ω or less, break: 15 KΩ or more

## Optional Accessories

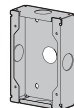
**Extension Monitor**  
VL-MV74 S (Silver)  
VL-MV74 W (White)



**Door Station (Doorphone)**  
(Plastic) CMOS 1.3 MP  
VL-V524



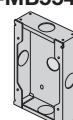
**Flush Mount Box for VL-V524**  
VL-MB524



**Door Station (Doorphone)**  
(Aluminium) CMOS 1.0 MP  
VL-V554  
CMOS 0.3 MP  
VL-V555



**Flush Mount Box for VL-V554/V555**  
VL-MB554



(VL-MB554 included with VL-V554U)

**Door Station (Doorphone)**  
(Plastic) CMOS 0.3 MP  
VL-V522L



## Related Products

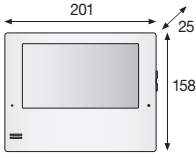
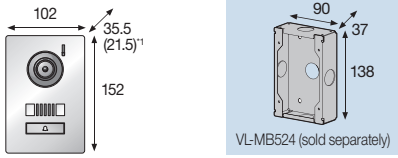
**Lobby Station**  
Up to 20 Rooms  
VL-V591  
Up to 32 Rooms  
VL-VM series  
Up to 2,240 Rooms  
VL-V901

# Model Composition

VL-SV74

Monitor (VL-MV74) x 1, Door Station (VL-V524) x 1

## Specifications

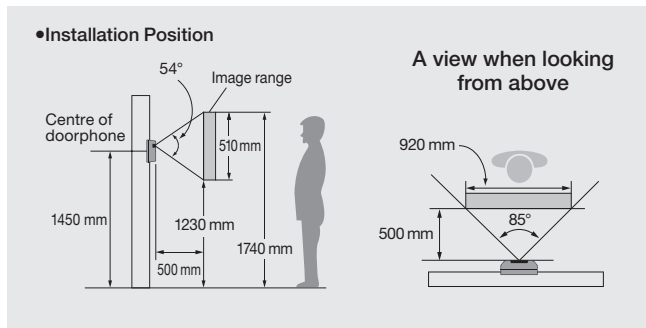
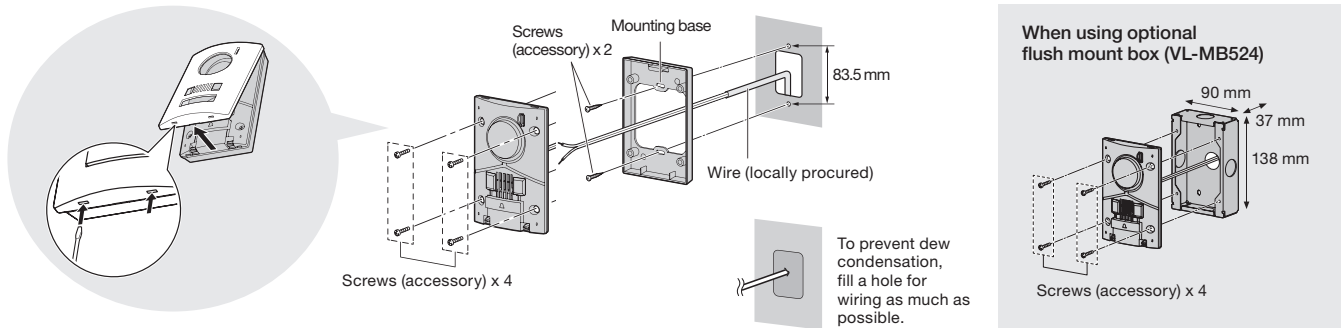
Model number	VL-MV74 S (silver) VL-MV74 W (white)	VL-V524
Model name	Main Monitor Station (Main monitor) Extension Monitor	Door Station (Doorphone)
Dimensions (mm) (excluding protruding sections)	Up to 3 (not including the main monitor) 	Up to 2 
Power source	220-240 V AC, 50/60 Hz	Power supplied by the main monitor
Power consumption <sup>*2</sup>	Standby: 2.3 W, Operating: 11.3 W	-
Weight	VL-MV74BX: 705 g, VL-MV74AZ: 715 g, VL-MV74SX: 730 g, VL-MV74CX: 760 g <sup>*3</sup>	225 g
Operating environment	Ambient temperature: Approx. 0 °C to +40 °C Relative humidity (non-condensing): up to 90 %	Ambient temperature: Approx. -15 °C to +55 °C Relative humidity (non-condensing): up to 90 %
Display	7-inch wide colour with touch sensor / WVGA (800 x 480 pixels)	-
Display language	English, Arabic, Vietnamese	-
Talking method	Hands-free	-
Viewing angle	-	Horizontally: Approx. 85° Vertically: Approx. 54°
Image sensor (pixel)	-	1/3 inch CMOS sensor (Approx. 1.3 M pixels)
Installation method	Wall mount (mounting bracket supplied)	Surface mount (mounting base supplied) Flush mount (mount box sold separately)
Minimum illuminance required	-	1 lx (within approx. 50 cm from the camera lens)
Lighting method	-	LED lights
IP rating / IK rating	-	IP44 <sup>*4</sup>
External material	Flame retardant ABS resin	Flame retardant resin

\*1 Excluding sections embedded into the wall. \*2 Measurement conditions: VL-V524 (1 pcs.) is connected to the Main Monitor

\*3 Including AC cable. The weight of the AC cable differs depending on the region.

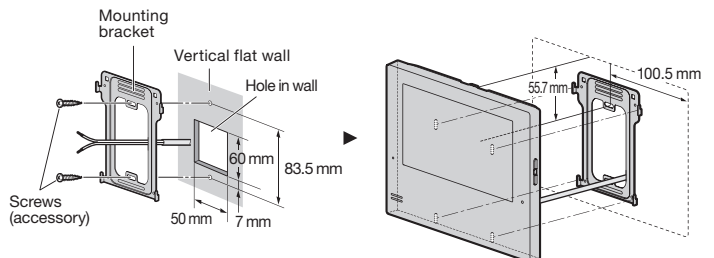
\*4 Water resistance is only assured if the doorphone is installed correctly according to the instructions in the Installation Guide, and appropriate water protection measures are taken.

## Installing the Doorphone



The camera angle can be adjusted using the camera angle control lever on the rear of the doorphone. (Up: 15°, Left or right: 15°)

## Installing the Main Monitor/Extension Monitor



- The actual product may vary slightly from photograph.
- Weights and dimensions are approximate.
- Design and Specifications are subject to change without notice.
- These products may be subject to export control regulations.

**Important**  
- Safety Precaution: carefully read the operating instructions and installation manual before using this product.

DISTRIBUTED BY :



Call us: 9315441053  
info@ampletrails.com

**Panasonic**

MG-DHPL033EN 1903ZZZ/ZZZ-XX1