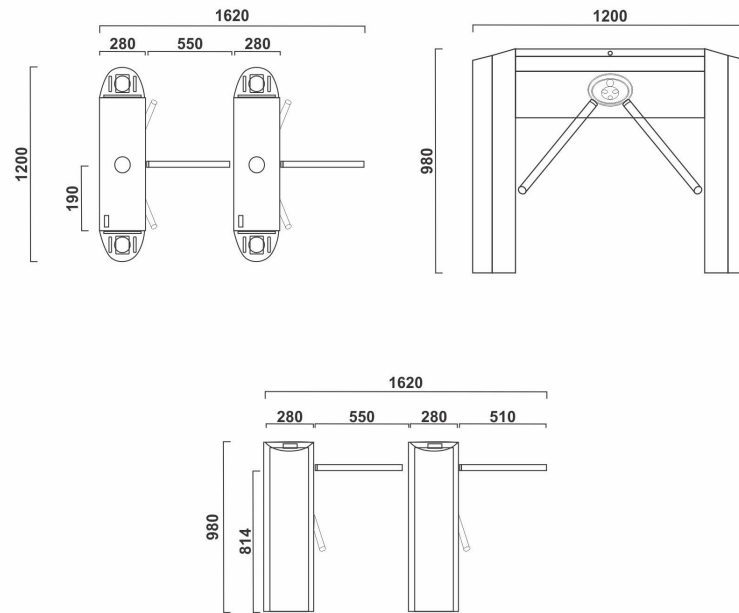




TNS-243

Tripod Turnstile

Passage width	≤ 550 mm
Throughput rate	35 p/m
Power Supply	100-240 V/(ac)
Operational Voltage	24 V/(dc)
Max Power Consumption	35 W
Frequency	50-60 hz
Protection level	>44 IP
Working Temperature	-25° ~ 70°
Dimension excluding bars	1200x280x980 mm
Net weight including bars	35 kg



TNS-243 Tripod Turnstile

MATERIALS

- Housing : In stainless steel AISI304 or AISI316.
- Barrier arm-stainless steel bar

OPERATING MODES

- Single passage in the set direction
- Bi-directional single passage
- Free passage in the set direction
- Always free or locked

FEATURES AND BENEFITS

- Use of RFID IC card, ID cards, Barcode or magnetic cards as automatic identification system and achieve access attendance , fees or function.
- A direction indicator, showed that pedestrian access to the current status of, and guide pedestrians correct and smooth passage
- Semi-auto mode: After reading card the passenger pushes the arm arrives in home position.
- Full-auto mode: The passenger pushes the arm at a little strength after reading card, and the arm will auto-matically rotate forward by motor power until the arm arrives in home position.
- Pure mechanical mode: The passenger pushes the arm by hand until he goes through the barriers.
- Single or bi-directional function in mechanical and electrical versions.
- Automatic reset of barrier arms after each passage.
- Cable or wireless remote control panel key override control for emergency situations . Automatically arm drop down when power off or emergency.
- Adjustable time out delay.