

Infrared Thermometer with Access Controller

Product image

**Basic specifications:**

Sensor	WTTS00	Display	Infrared LED
Accurate	±0.2°C	Measuring time	<0.5s
Working voltage	5V ~ 12V input	Working ambient temperature:	5°C~32°C
Measuring distance	5~10cm	Temp measurement range:	35°C~42.9°C
Internal relay	Yes	Wiegand input/output	Yes
Alarm	Yes(external available)	Certificates	CE/FCC/ROHS
Size	130*90*53mm	Weight	240g
Package	Neutral packaging	Installation	Wall mounted

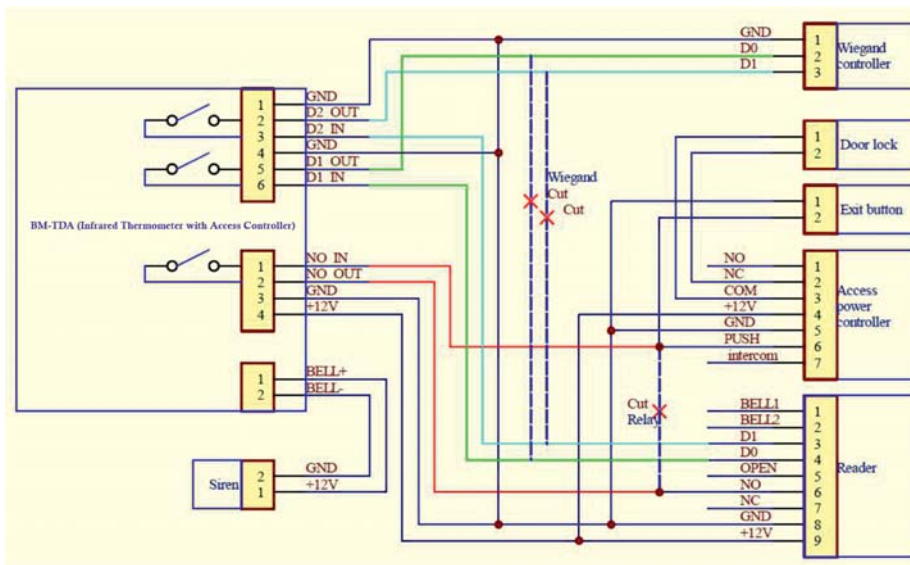
Settings:

You are suggested to set to a new password before using the this device with administrator function

Administrator function: Long pressing key “M” for 6 seconds, displaying default password “0000”, Press Key “M” again to set the new passwords. Key “+/-” is for Increasing and decreasing the value, key “M” is for positioning (Notes: please make sure to remember the new passwords)

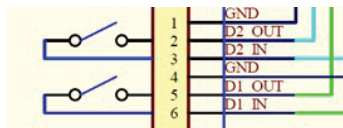
1. Alarm temperature setting: Press key “M” one time, the display will show 1. 37.5, meaning the default high temperature value is 37.5°C, press key “+/-” to adjust the target high temperature
2. Temperature compensation value setting: Press key “M” twice, the display will show 2. 0.0, press key “+/-” to adjust the value (adjust value unit is 0.1°C)
3. Alarm switch off setting: Press key “M” the third time, the display will show 3. ON, press key “+/-” to switch off or switch on the alarm
4. Interval time setting: Press key “M” the fourth time, the display will show 4.5. key “+/-” to adjust value of interval time (interval time available between 3s ~ 90s)
5. Passwords change setting: Press key “M” the fifth time, the display will show 5. PC, key “+/-” to adjust value of passwords, Key “+/-” is for Increasing and decreasing the value, key “M” is for positioning (Notes: please make sure to remember the new passwords)
6. Exit setting: Press key “M” the sixth time to exit the setting

BM-TDA connection diagram



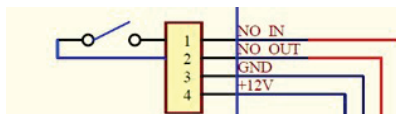
Connection descriptions:

Connection A (Wiegand input/output):



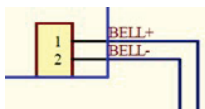
1. GND: GND input
2. D2 OUT: wiegand output
3. D2 IN: wiegand input
4. GND: GND input
5. DI OUT: wiegand output
6. D1 IN: wiegand input

Connection B (Standalone):



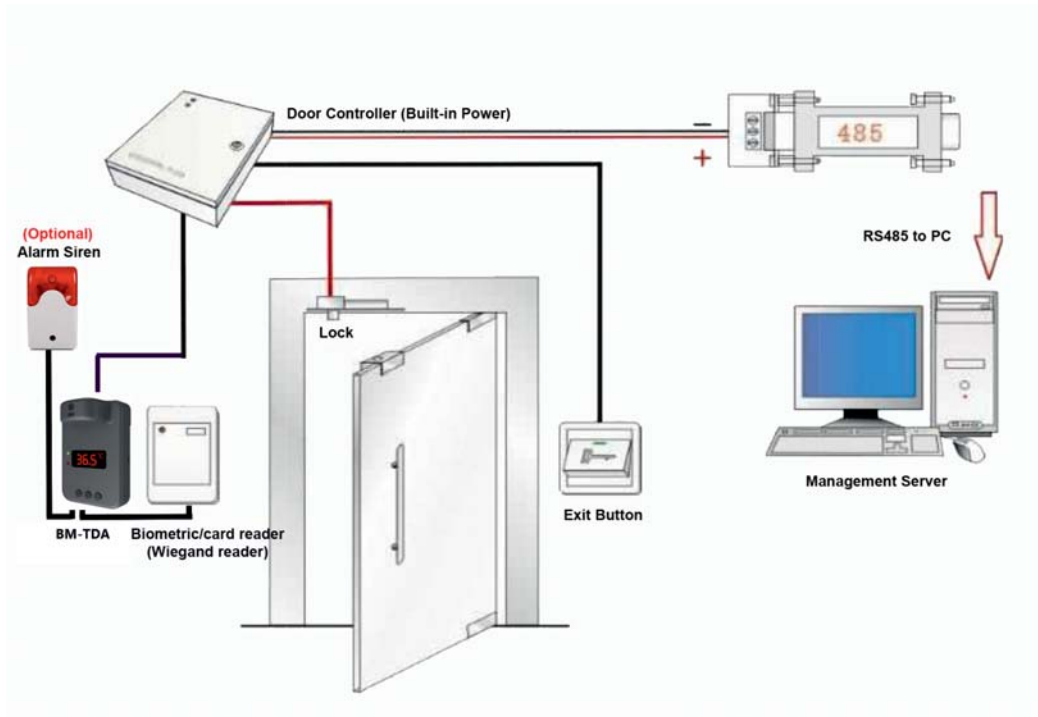
1. NO IN: Relay input
2. NO OUT: Relay output
3. GND: GND input
4. +12V: 12V power input

Connection C (External alarm):



1. BELL+: Alarm + 12V output
2. BELL-: Alarm - GND output

BM-TDA Access control Sketch Map connection A (Wiegand input/output)



BM-TDA Access control Sketch Map connection B (Standalone)

